

M12 FEMALE 90° FIELD-WIREABLE SCREW TERM.

5-pol. max.0,75mm² 6-8mm

Female 90°

M12, 5-pole

Screw terminals

Sealing range (cable Ø): 6...8 mm

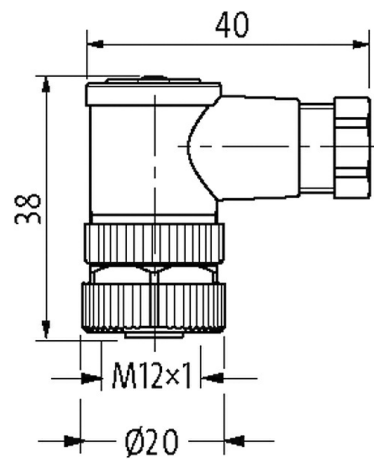
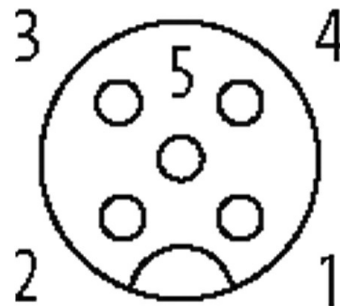
Plastic housings with good resistance against chemicals and oils.

The resistance to aggressive media should be individually tested for your application. Further details on request.

Illustration



Female



Product may differ from Image

Approvals



Form

Form 13041

Technical Data

Operating voltage	max. 60 V
Rated surge voltage	0.8 kV

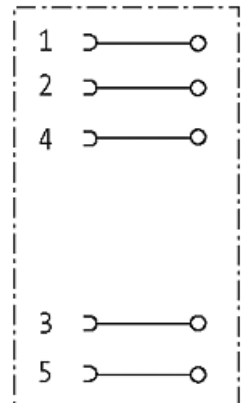
Operating current per contact	max. 4 A; max. 3 A (UL-Recognized)
Material group	III
Connection cross section	max. 0.75 mm ²
Sealing range (cable Ø)	6...8 mm
Over voltage category	II
Locking of ports	Screw thread (M12×1 mm) recommended torque 0.6 Nm, self-securing
Compression gland	M12 (SW18)
Protection	IP67 inserted and tightened (EN 60529)

General data

Pollution Degree	3
Dimensions H×W×D	38×40×20 mm
Material (housing)	PA
Temperature range	-40...+85 °C

Commercial data

country of origin	DE
customs tariff number	85366990
EAN	4048879201490
eClass	27279221
Packaging unit	1

Sketch

Product may differ from Image